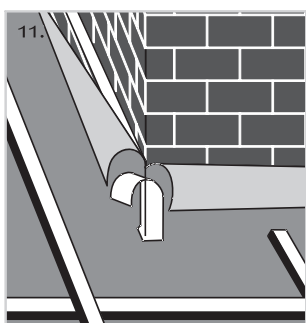
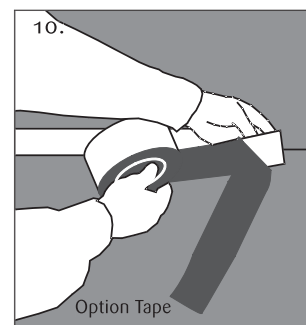
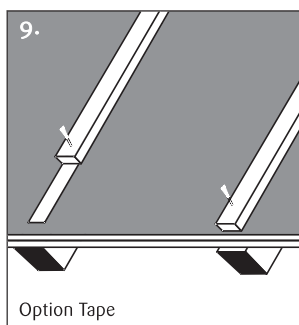
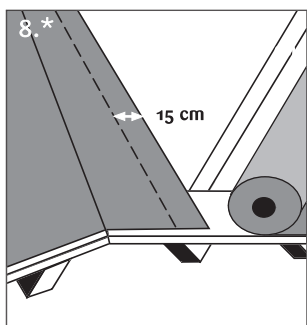
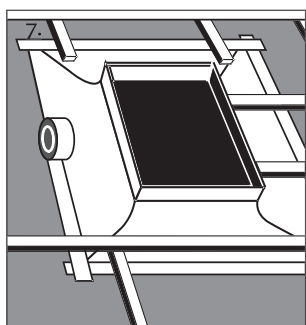
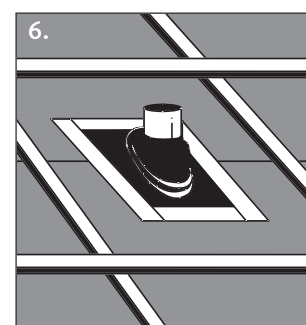
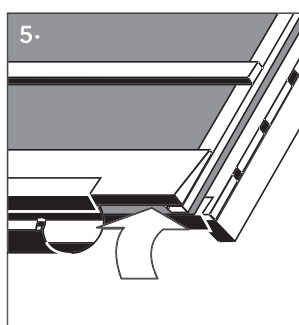
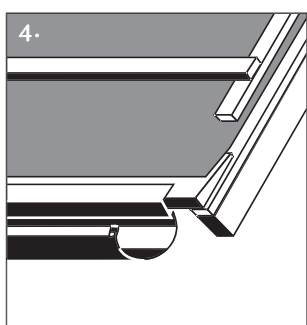
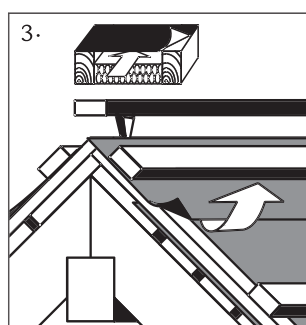
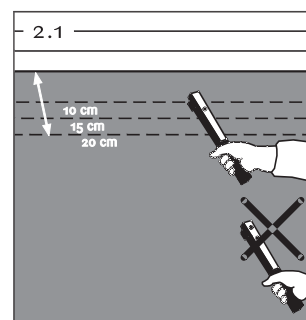
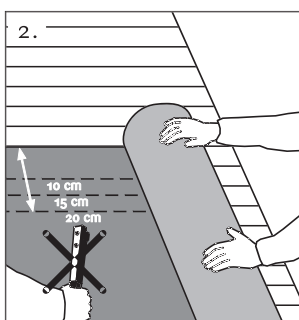
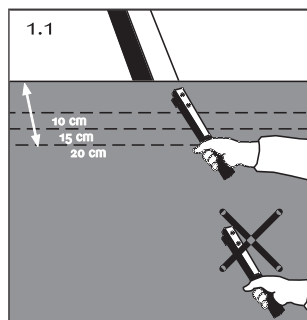
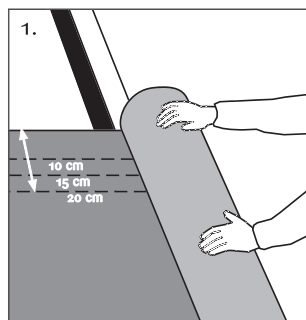


# Installation instructions

## Sepa® non-breathable roofing underlay



\* 10 cm overlapp-pitch  $\geq 30^\circ$   
20 cm overlapp  $< 30^\circ$